

US Defense Systems Response
CAGE: 81CH2

Notice ID W15QKN25X1488

Date: 03-10-2025



US DEFENSE
SYSTEMS

Introduction

US Defense Systems is a VOSDB company dedicated to providing products and services to governments and licensed commercial entities worldwide. Products and services provided through our own manufacturing, sourcing from other manufacturers, and service providers within our global network.

US Defense Systems has proven manufacturing and trade experience earned over decades. Specifically in fully modern USDOD MIL-SPEC through older design NON-STANDARD weapons from NATO and WARSAW PACT origins.

Capability Statement

- Precision CNC Machining using multi axis multi spindle milling machines.
- CNC Lathe operations.
- Assembly welding of multiple alloys commonly used in weapons.
- Durable advanced coatings for weapons and accessories.
- CAD (Solid Works) weapon design and QC metrology of in process part fabrication.
- New weapons final assembly, Rebuilds of older weapons systems, composite kit part assembly.
- Physical and Laser engraving in various metals
- Sound Suppressor manufacturing \
- Firearms in NATO and WARSAW calibers, and customized sub assemblies.
- Optical mounts fabrication.

Domestic & International sourcing

- Night Vision Devices Thermal vision systems
- Laser Aiming Devices
- Artillery Rounds Mortar Rounds
- Grenades
- Battle Rifles
- Small Caliber Ammunition
- Helmets & Armor
- Surplus Refurbished Tracked APC's
- New Tracked APC Fighting Vehicles
- 6X6 & 8x8 APC's 4x4 Armored Vehicles
- MLRS Vehicles New and Used
- Engineering, Recovery, and Hauling Vehicles
- Drone Parts
- Tactical FPV Drones
- Aircraft Parts
- Surplus Rotorcraft

Response to paragraph 1

We provide contract machine and manufacturing services for a multitude of Defense Contractors providing parts, engineering and design services, providing the necessary parts and materials for advanced aerospace and weapons platforms. We manufacture light and heavy weapons systems, along with components used in Rockets and Missile Systems.

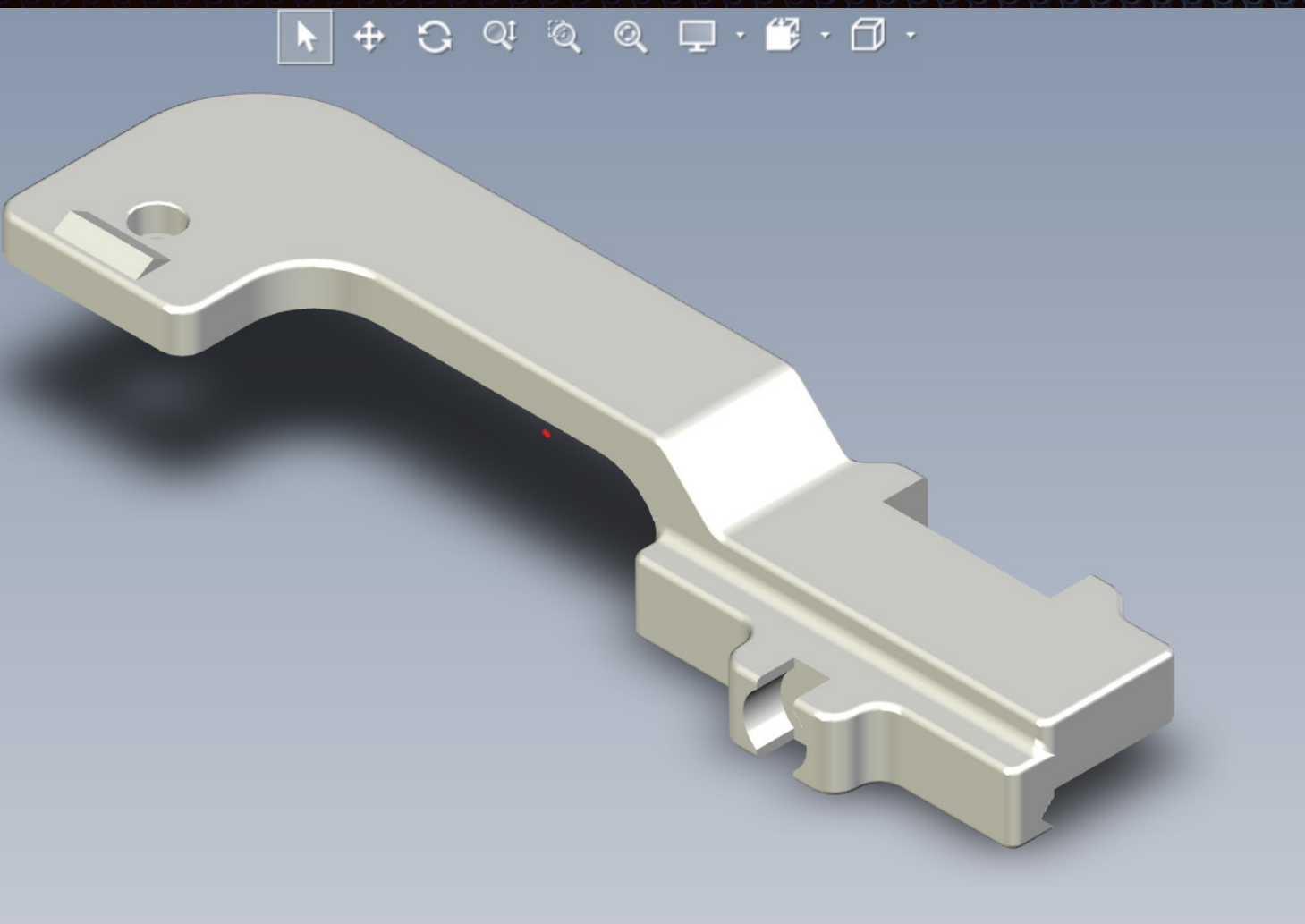
Recently we have been producing on variance, thousands of sound suppressor parts included in suppressors for the US GOV. In the past we have made many M4's, M-110 style 7.62 rifles, 7.62x39 rifles to multiple countries. Further we have made non-standard Mounts for optics. We also have worked in design improvements of traditional Light and Heavy machine guns. We are currently working in partnership with a company in Turkey to produce a Light Squad Automatic Weapon (SAW).

Through our Night Vision, Ammunition, and Vehicles divisions we have been servicing Ukraine and the supporting NATO governments with NVG's, Ammunition, armored personnel carriers, and many more items. Currently we service more than 17 countries.

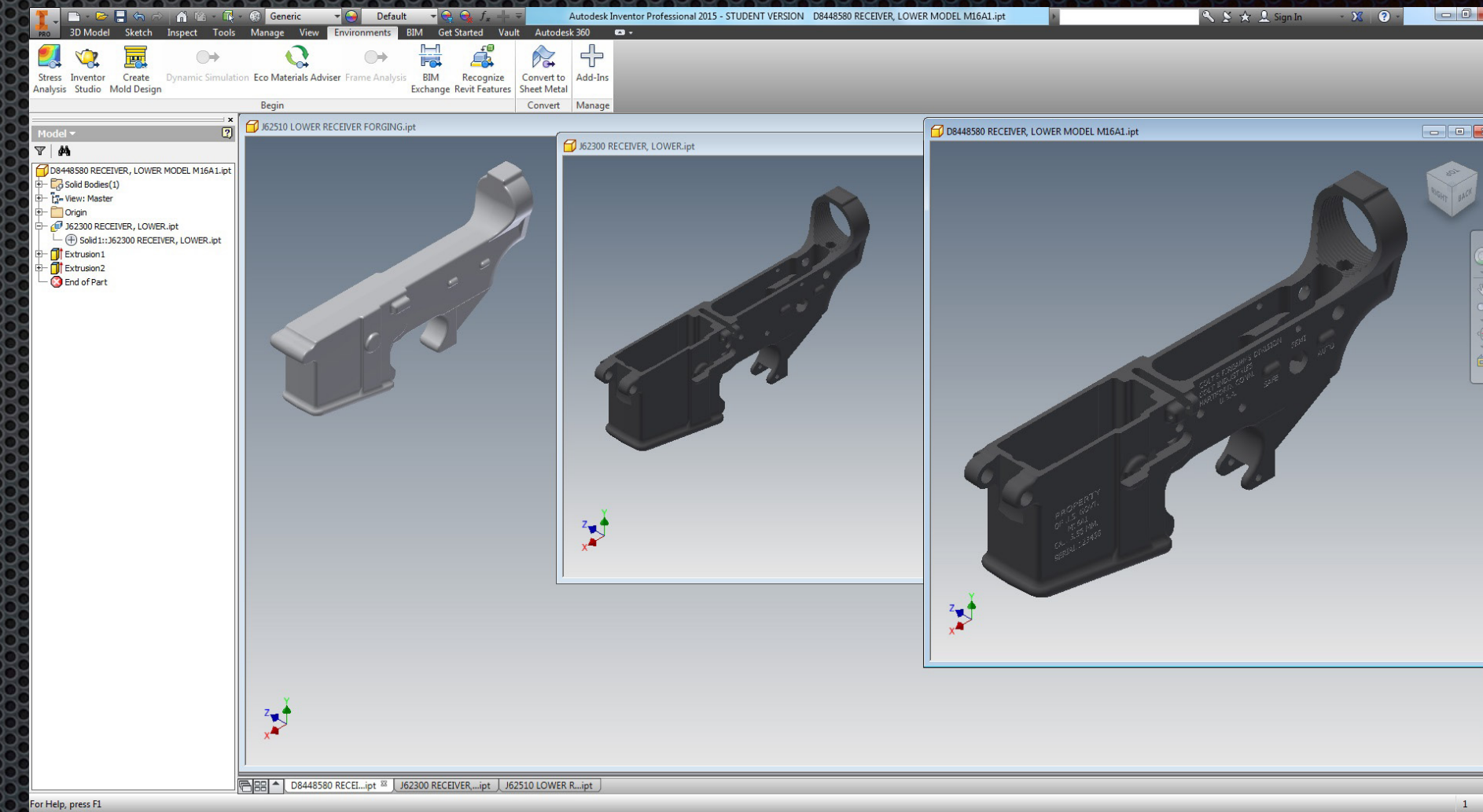
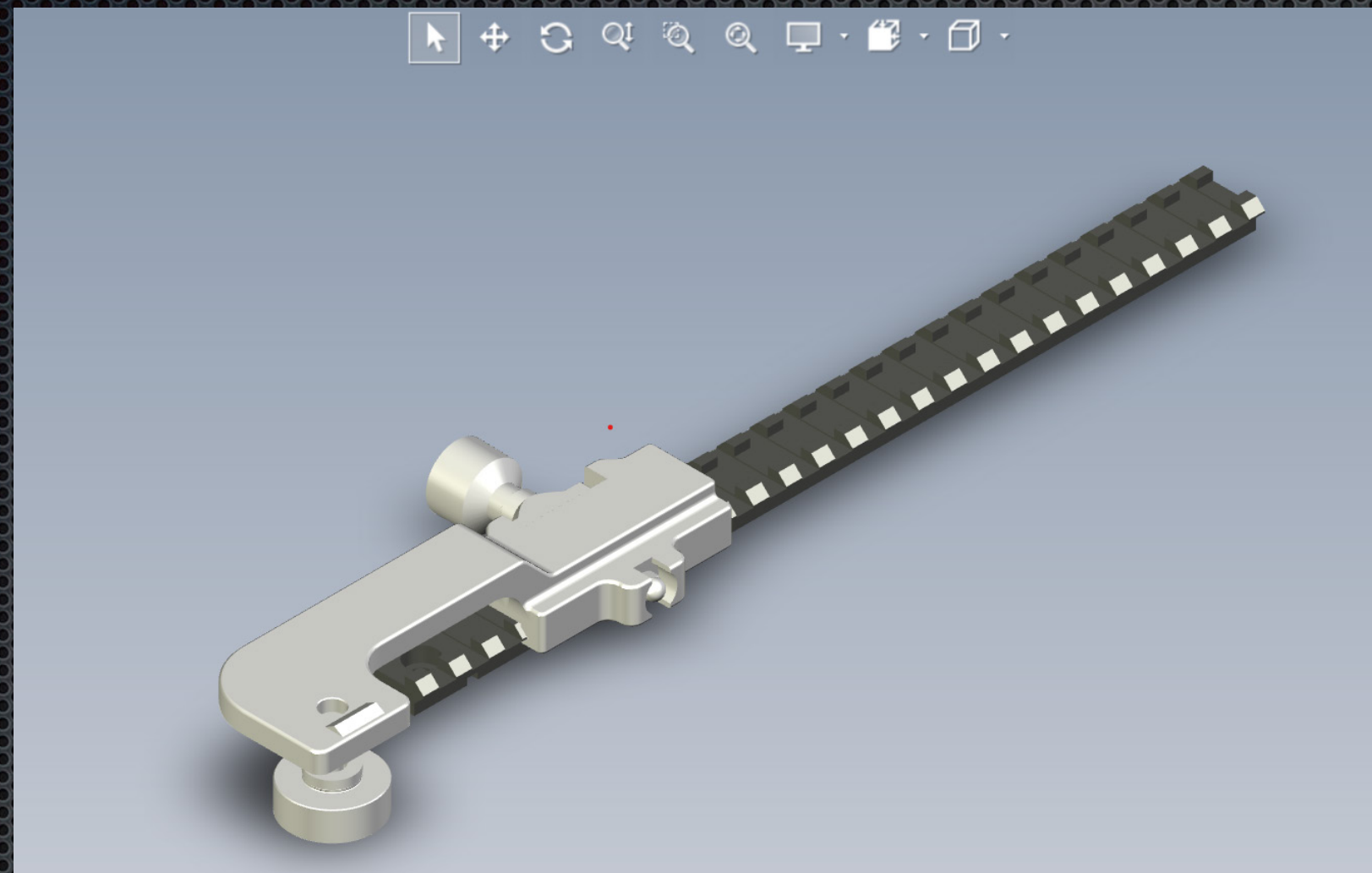
Exciting upcoming projects include GRAD rocket parts fabrication in cooperation with Romanian and Turkish Firms.



Examples of Recent Machine Parts designed by US Defense Systems

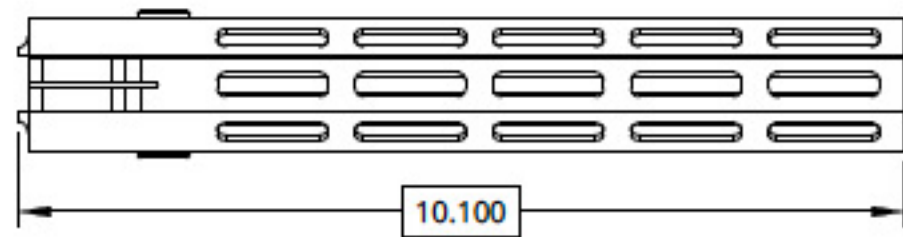
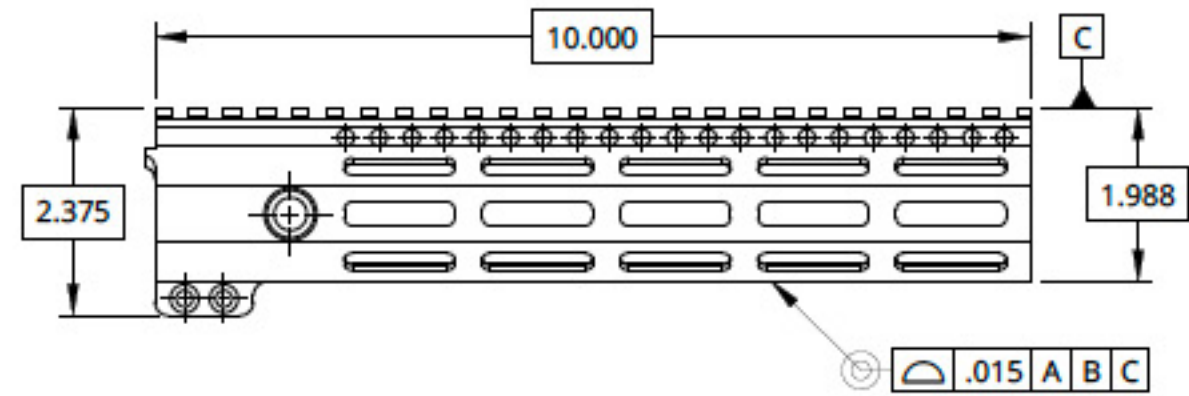
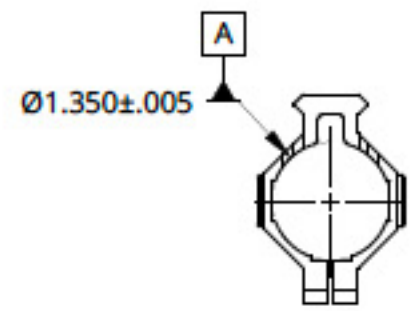
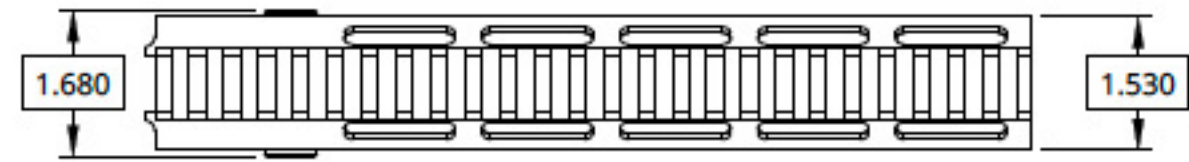
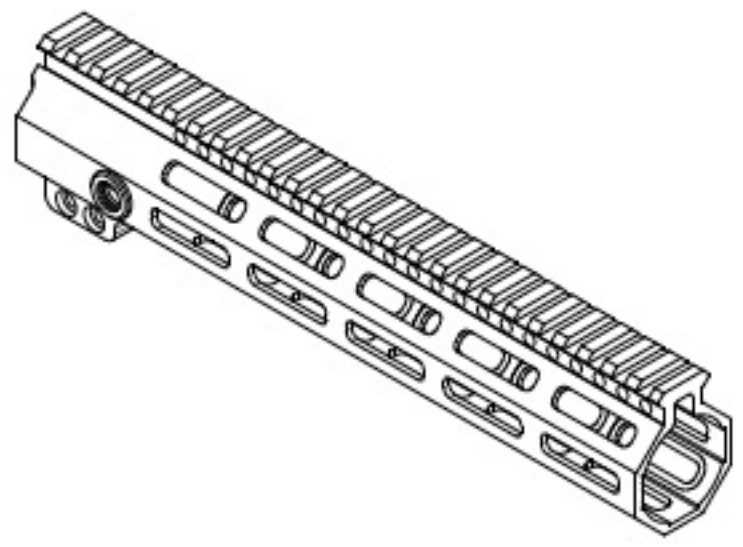


Weapon mount for PVS-14

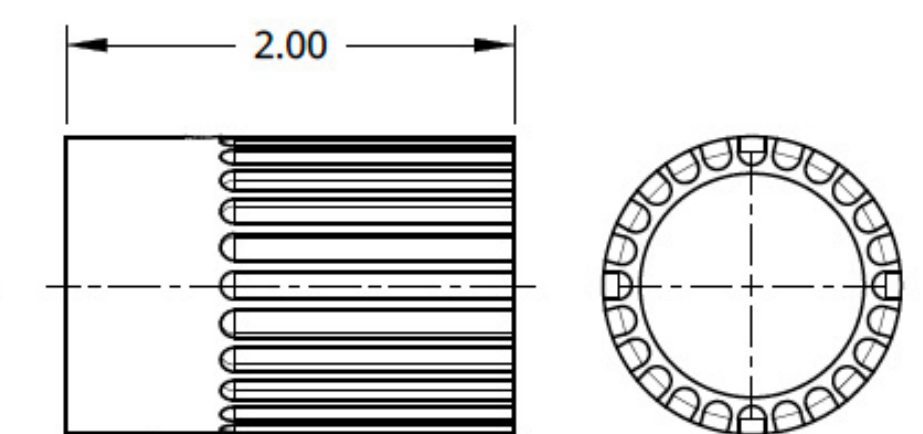
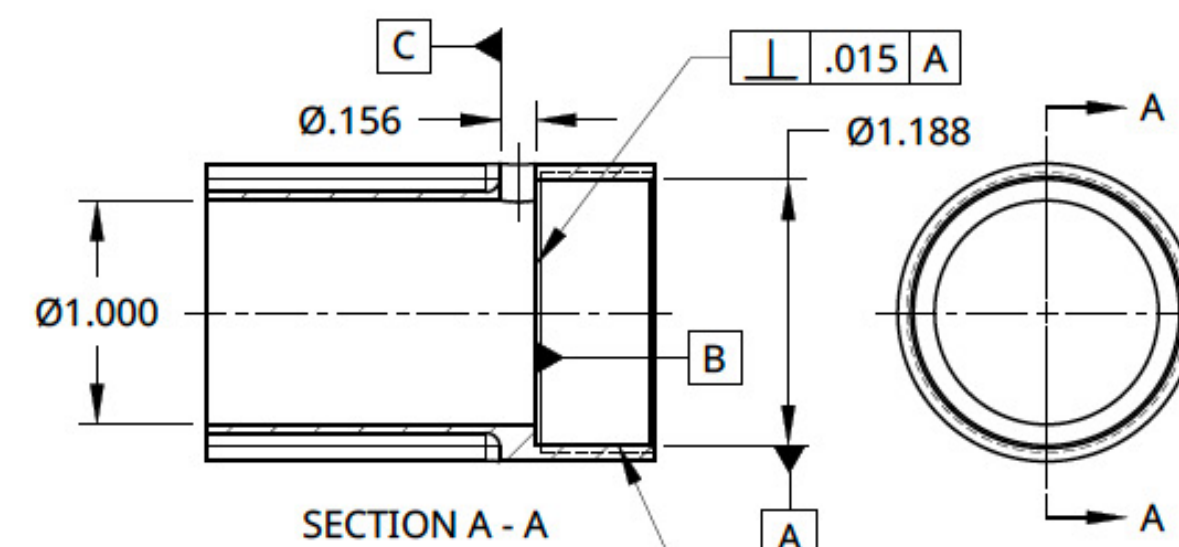
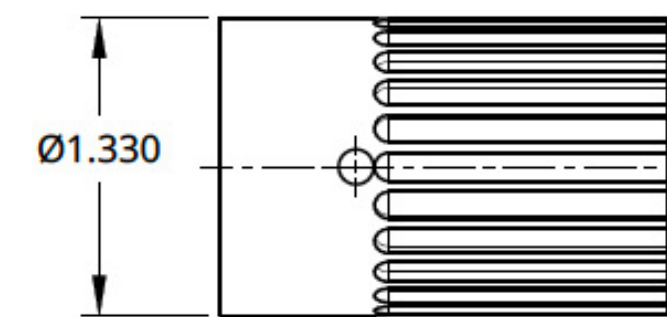
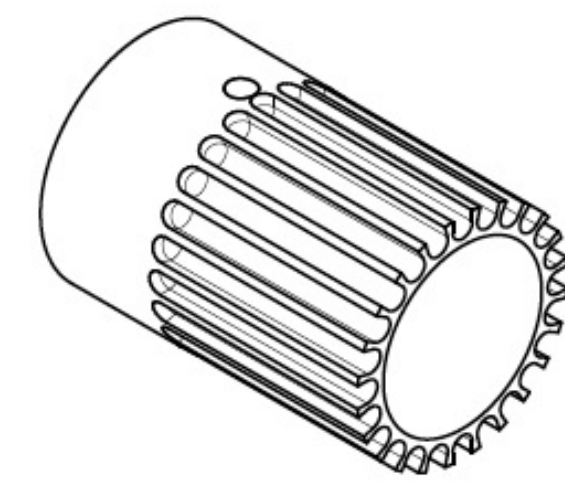


M4 Lower Receiver

USDS custom design for rifle rail system



UNLESS OTHERWISE SPECIFIED, DIMENSIONS ARE IN INCHES X = ±.1 XX = ±.03 XXX = ±.010 ANGULAR = ±1°	DRAWN	RYAN LUNDELL	11/25/2024	TITLE USDS 10" HAM
	CHECKED			
	APPROVED			
	DO NOT SCALE DRAWING			
BREAK ALL SHARP EDGES AND REMOVE BURRS				SIZE B DWG NO. USDS000
THIRD ANGLE PROJECTION	MATERIAL	FINISH		SCALE 1:2 WEIGHT



Ø1.188 ∇ .525
1 1/4-18 ∇ .500

UNLESS OTHERWISE SPECIFIED, DIMENSIONS ARE IN INCHES X = ±.1 XX = ±.03 XXX = ±.010 ANGULAR = ±1°	DRAWN	RYAN LUNDELL	10/09/2024	US DEFENSE SYSTEMS	
	CHECKED			TITLE NUT, BARREL	
	APPROVED			SIZE A DWG NO. USDS0001-0001	REV.
	DO NOT SCALE DRAWING			SCALE 1:1	WEIGHT
BREAK ALL SHARP EDGES AND REMOVE BURRS					
THIRD ANGLE PROJECTION	MATERIAL	FINISH			

Response to paragraph 2. US Defense Carries Requisite ITAR and BATFE registrations and licensing to participate in Defense goods manufacturing and trade.



United States Department of State
Bureau of Political-Military Affairs
Directorate of Defense Trade Controls
Washington, D.C. 20522-0112

DR Smith
Chief Executive Officer
US Defense Systems Inc.
1077 WEST 500 NORTH
Admin Ofc. Ste 102
Lindon, UT 84042

2023-11-08

REGISTRANT CODE: M48760
EXPIRATION DATE: 2024-11-30

Reference: DDTC Manufacturer Registration Statement and Fee Submission

Dear DR Smith:

The Office of Defense Trade Controls Compliance (DTCC) received your registration statement and fee to register as a manufacturer. Your registration code is M48760, which expires on 2024-11-30.

Any person who engages in the United States in the business of manufacturing or exporting or temporarily importing defense articles or furnishing defense services is required to register and keep that registration current with this office pursuant to the Arms Export Control Act (AECA) and the International Traffic in Arms Regulations (ITAR). A registration is current if the registration is unexpired and has accurate and up-to-date information.

Registration is a precondition to submitting an application for an export license or other approval from the Directorate of Defense Trade Controls (DDTC) or to use ITAR exemptions but does not confer any export rights or privileges. In addition, if you also plan to engage in brokering activities pursuant to ITAR Part 129, you must register as a broker with DDTC.

As the senior officer empowered to sign the registration statement, you should ensure that your organization maintains records regarding: 1) The senior officer listed on the registration who will oversee the compliance program and be responsible for designating the direct employees who will serve as "empowered officials" for their organization; and 2) The qualified, direct employees who will serve as "empowered officials," listed by name, position, business unit, phone and fax numbers and email addresses. Please note that third parties (i.e., individuals who are not direct employees, such as consultants, subcontractors, or outside counsel, for example) cannot serve as "empowered officials."

Also, ITAR Section 122.5 requires you to maintain records concerning your registration and the manufacture, acquisition, and disposition of defense articles; the provision of defense services; and information on political contributions, fees, or commissions furnished or obtained, as required by ITAR Part 130. Records maintained shall be available at all times for inspection and copying by DTCC or Customs officials. To ensure such records are maintained in accordance with ITAR Section 122.5, the organization should provide appropriate training on AECA and ITAR requirements to all employees who will be performing recordkeeping functions and ensure they comply with the ITAR. Ramifications for the failure to comply may include shipment delay and/or shipment seizure by Customs and Border Protection, loss of export privileges, and/or criminal or civil penalties.

In accordance with the provisions of Title I, Gun Control Act of 1968, and the regulations issued thereunder (27 CFR Part 478), you are licensed to engage in the business specified in this license, within the limitations of Chapter 44, Title 18, United States Code, and the regulations issued thereunder, until the expiration date shown. **THIS LICENSE IS NOT TRANSFERABLE UNDER 27 CFR 478.51.** See "WARNINGS" and "NOTICES" on reverse.

Direct ATF	ATF - Chief, FFLC	License Number	9-87-049-07-5K-03969
Correspondence To	FFLC@atf.gov 1-866-662-2750	Expiration Date	October 01, 2025
Chief, Federal Firearms Licensing Center (FFLC)	<i>Tracy Robertson</i>	Name	USDS
Premises Address (Changes? Notify the FFLC at least 30 days before the move.) 1077 WEST 500 NORTH, SUITE 102 LINDON, UT 84042			
Type of License 07-MANUFACTURER OF FIREARMS OTHER THAN DESTRUCTIVE DEVICES			
Purchasing Certification Statement The licensee named above shall use a copy of this license to assist a transferor of firearms to verify the identity and the licensed status of the licensee as provided by 27 CFR Part 478. The signature on each copy must be an original signature. A faxed, scanned or e-mailed copy of the license with a signature intended to be an original signature is acceptable. The signature must be that of the Federal Firearms Licensee (FFL) or a responsible person of the FFL. I certify that this is a true copy of a license issued to the licensee named above to engage in the business specified above under "Type of License."		Mailing Address (Changes? Notify the FFLC of any changes.) US DEFENSE SYSTEMS, INC USDS 1077 WEST 500 NORTH, SUITE 102 LINDON, UT 84042	
<i>DR Smith</i> Licensee Responsible Person Signature	<i>CEC 1003</i> Position/Title	<i>DR. SMITH</i> Printed Name	<i>10/01/2025</i> Date

ATF Form 8 (5310-11)
Revised October 2011

Previous Edition is Obsolete US DEFENSE SYSTEMS, INC 1077 WEST 500 NORTH, SUITE 102 84042 9-87-049-07-5K-03969 October 01, 2025 07-MANUFACTURER OF FIREARMS OTHER THAN DESTRUCTIVE DEVICES

Federal Firearms License (FFL) Customer Service Information

Federal Firearms Licensing Center (FFLC)
244 Needy Road
Martinsburg, WV 25405-9431

Toll-free Telephone Number: (866) 662-2750
Toll-free Fax Number: (866) 257-2749
E-mail: FFLC@atf.gov

ATF Homepage: www.atf.gov
FFL eZ Check: www.atfonline.gov/fflccheck

Change of Address (27 CFR 478.52). Licensees may during the term of their current license remove their business or activity to a new location at which they intend regularly to carry on such business or activity by filing an Application for an Amended Federal Firearms License, ATF Form 5300.38, in duplicate, not less than 30 days prior to such removal with the Chief, Federal Firearms Licensing Center. The application must be executed under the penalties of perjury and penalties imposed by 18 U.S.C. 924. The application shall be accompanied by the licensee's original license. The license will be valid for the remainder of the term of the original license. (The Chief, FFLC, shall, if the applicant is not qualified, refer the application for amended license to the Director of Industry Operations for denial in accordance with § 478.71.)

Right of Succession (27 CFR 478.56). (a) Certain persons other than the licensee may secure the right to carry on the same firearms or ammunition business at the same address shown on, and for the remainder of the term of, a current license. Such persons are: (1) The surviving spouse or child, or executor, administrator, or other legal representative of a deceased licensee; and (2) A receiver or trustee in bankruptcy, or an assignee for benefit of creditors. (b) In order to secure the right provided by this section, the person or persons continuing the business shall furnish the license for that business for endorsement of such succession to the Chief, FFLC, within 30 days from the date on which the successor begins to carry on the business.

(Continued on reverse side)

Cut Here ✂

Federal Firearms License (FFL) Information Card	
License Name:	US DEFENSE SYSTEMS, INC
Business Name:	USDS
License Number:	9-87-049-07-5K-03969
License Type:	07-MANUFACTURER OF FIREARMS OTHER THAN DESTRUCTIVE DEVICES
Expiration:	October 01, 2025
Please Note: Not Valid for the Sale or Other Disposition of Firearms.	

FFL Newsletter - Electronic Version Available

Sign-Up Today!

FFLs interested in receiving the electronic version of the FFL Newsletter, along with occasional additional information, should submit name, FFL number, and e-mail address to: FIPB@atf.gov.

The electronic FFL Newsletter will enable ATF to communicate information to licensees on a periodic basis.



United States Department of State
Bureau of Political-Military Affairs
Directorate of Defense Trade Controls
Washington, D.C. 20522-0112

DR Smith
Chief Executive Officer
US Defense Systems Inc.
1077 WEST 500 NORTH
Admin Ofc. Ste 102
Lindon, UT 84042

2023-11-08

REGISTRANT CODE: K-8655
EXPIRATION DATE: 2024-11-30

Reference: DDTC US Broker Registration Statement and Fee Submission

Dear DR Smith:

The Office of Defense Trade Controls Compliance (DTCC) received your registration statement and fee to register as a broker. Your registration code is K-8655, which expires on 2024-11-30.

Section 38(b)(1)(A)(ii) of the Arms Export Control Act (AECA) (22 U.S.C. 2778) provides that persons engaged in the business of brokering activities with respect to the manufacture, export, import, or transfer of any U.S. or foreign defense article or defense service shall register and pay a registration fee and that no person may engage in the business of such brokering activities without a license issued in accordance with the AECA. This registration serves as a precondition to applying for a brokering license or other approval from the Directorate of Defense Trade Controls (DDTC) but does not confer any additional privileges. Further, if you also plan to engage in the business of manufacturing or exporting defense articles or furnishing defense services, you must register separately as an exporter / manufacturer with DDTC.

As a registered broker, you are required to comply with the ITAR, including, but not limited to, those specific to Part 129 on brokering activities. Please also note that Part 122 includes requirements for notifying this office of changes to your Registration Statement.

ITAR Section 129.10 provides that any person required to register as a broker must provide annually a brokering report to DDTC of that person's brokering activities in the previous year. This report must be submitted with the broker's registration renewal submission. The report must cover all brokering activity not the subject of a prior broker report. Broker reports must cover all brokering activity up to three months prior to the expiration of the broker registration. If you are not renewing your registration, then you must submit the report within 30 days of the expiration of your registration.

As the senior officer empowered to sign the registration statement, you should ensure that you and your organization maintain records regarding: 1) The senior officer listed on the registration who will oversee the compliance program and be responsible for designating the direct employees who will serve as "empowered officials" for their organization; and 2) The list of qualified, direct employees who will serve as "empowered officials," listed by name, position, business unit, phone and fax numbers and email addresses. Please note that third parties (i.e., individuals who are not direct employees, such as consultants, subcontractors, or outside counsel, for example) cannot serve as "empowered officials."

Response to paragraph 3.

The management team at US Defense Systems operate offices and facilities in 4 locations. Roseville CA, Lindon UT, NAMPA ID, Burlington NC, and Prague CZ. In CA we produce Night Vision and LAD's. In Utah we operate the weapons manufacturing facility. NC is utilized for vehicle up-fits, warehousing, and as a staging area for goods headed to Europe and beyond. Prague is our European logistics hub and FPV drone making facility.

We are accustomed to movement of goods in challenging environments. To include active conflict regions such as Ukraine, Israel, DRC, Haiti, and others. Our corporate officers have a combined experience of over 60 years in defense industry. We can confidently navigate the State Dept office of the Directorate of Defense Trade Control, (DDTC) VIA the DECCS system. Our first step is due diligence on our end users to include DSP-83 end user certificates. We have filed and received many DSP-5's for basic exports, DSP-4294's for OCONUS to OCONUS arms transfers, DSP-72 temporary exports for trials, commodities jurisdictions, advisory opinions, and so on. We maintain our network with numerous OCONUS arms dealers and lawyers who help us to manage the import export requirements of foreign governments. All DDTC export or brokerage licenses are on a case by case basis. Their time to issuance is impacted by the type of item or "Commodity", by the destination country, and by the specific end user. Every License is approved or RWA at an individual time period. Our experience lends us to factor 45-90 days for an average license to go through the process.

Response to paragraph 3. (CONT)

In regards to the Bureau of Alcohol, Tobacco, Firearms, and Explosives we are very familiar with all processes. From creation of firearms forms, transfer of NFA class items, Form-6 importation licenses. Two of the senior managers have help various manufacturing and import licenses for many years. Type-06,07,08,10,11,23 (EXP), 24 (EXP), SOT's for example.

Domestic and Internationally US Defense systems maintains SAM registry, NATO supplier registry, IDF registry, ECDI (Estonia) registry, Ukraine's DPA, DALO registry, registered in the UK Jaeger system. Additionally, we work and or have worked as supplier with numerous other commercial manufacturers such as Northrup Grumman, General Dynamics, RTX, and many others.

Our Import / Export operations involve many suppliers globally. IE: Romarm, CSG, MSM, ASSAN, MKE, CZ, Explosia, MBN, Winchester (LCAAP), Elbit Systems, Arsenal, Munitions India Limited, Yantra, ZVI, STV Group, FN, Dillon, YUGO Import, OXO Romania, TAG UAE, IGG, and many many others.

Logistical aspects of moving highly regulated and sometimes HAZMAT materials both CONUS and OCONUS is a highly challenging task. We have developed an extensive network of freight forwarders and carriers that allow us to safely and legally move munitions and ordnance. To include moving cargo into active con shipping 246 NVG's to Ukraine's National Guard in early April.

Public Profile & Contact Info



View Our Catalog Online.

Public Profiles

Websites: www.usdefensesystems.com
Facebook: <https://www.facebook.com/profile.php?id=100057596643840>
Instagram: https://www.instagram.com/us_defense_systems_news/

Management Team

Executive Officer:	DR SMITH	drs@usdefensesystems.com	1	435	406	5608
Technical Officer:	John Barbieri	john@usdefensesystems.c	1	208	615	0317
Europe Operations:	Zdenek Poul.	zdenek@usdefensesystems.com	42	0	728	414 131

Supplemental examples of some of our products



**Light Squad Assault
Weapon (LSAW)**



KS 8



USDSTRADE.COM

UNVG



Technical Specifications:

Image Intensified:	Auto Gated
Phosphor:	P43 / P45
Magnification	1x
Field of View:	40°
Diopter Adjustment:	+2 / -6
Eye Relief:	25mm
Weight:	580 grams
Dimensions:	165x120x160 mm
Operating Temp:	-40° to +70 °C
Battery Type:	CR123A(1)
Battery Life:	40 hours

The US Night Vision Universal Night Vision Goggle (UNVG) is a lightweight, feature-rich night vision system. The UNVG builds upon years of research and development based on end user feedback. The UNVG



MLAD-3G
IR LASER/ILLUMINATOR
& VISIBLE GREEN LASER



Technical Specifications:

Laser Type:	Class 1/3R
Vis Green Laser Output:	< 5mW (High)
R Laser Output:	<.65mW (LOW) I >50mW (HIGH)
IR Illum Output:	<.65mW (LOW) I >50mW (HIGH)